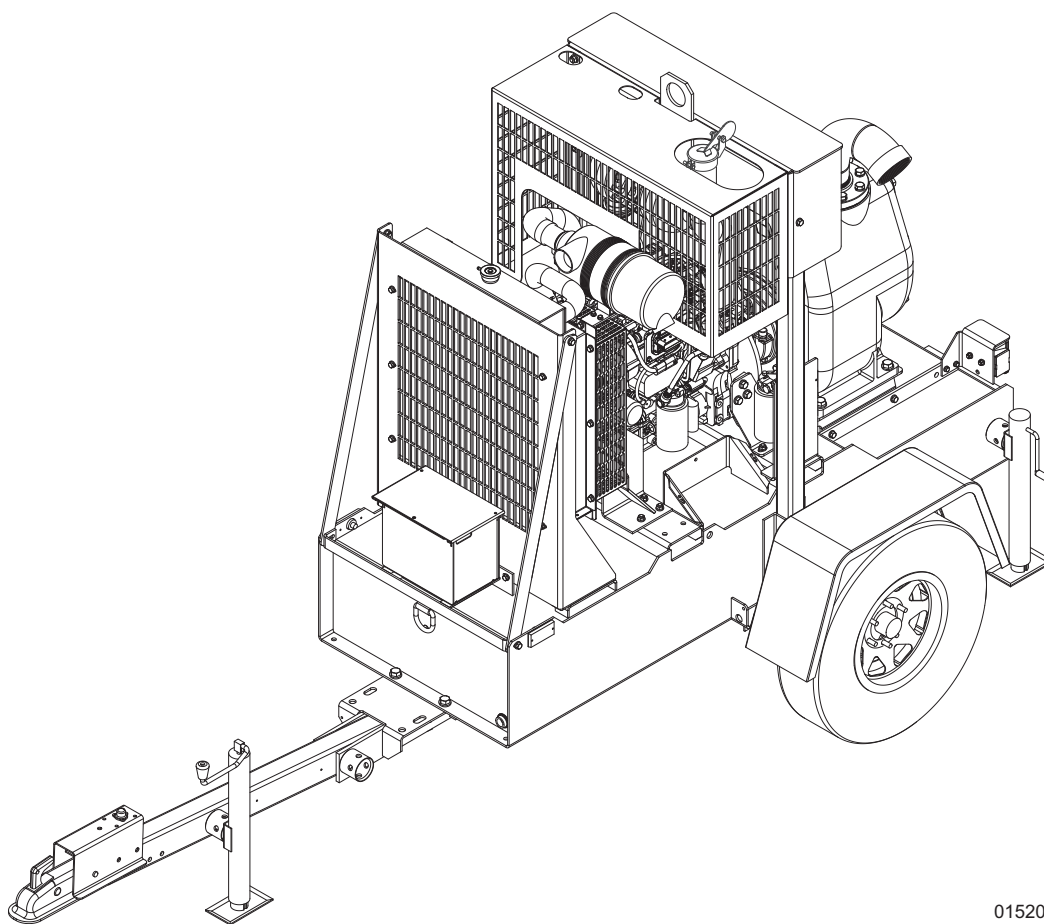


GENERAC® | **MOBILE
PRODUCTS**

**SELF-PRIME DIESEL TRASH PUMP
MTP4000SZ**



01520

PARTS MANUAL

▲ WARNING

CALIFORNIA PROPOSITION 65 WARNING: Diesel engine exhaust and some of its constituents are known to the state of California to cause cancer, birth defects, and other reproductive harm.

▲ WARNING

CALIFORNIA PROPOSITION 65 WARNING: This product contains or emits chemicals known to the state of California to cause cancer, birth defects, and other reproductive harm.

Introduction

This parts manual was prepared based on the information available at the time of publication and is subject to change without notice. Generac Mobile Products reserves the right to change parts at any time. To check whether a revised parts manual is available, contact Generac Mobile Products.

DO NOT MODIFY or use this equipment for any application other than which it was designed for. To keep your equipment fully operational, it is suggested you maintain a stock of commonly used maintenance or service parts. A recommended spare parts list can be found in the back of this manual. To order service parts, please go to www.generacmobile.com or call Generac Mobile Products.

▲ WARNING

Before operating or servicing this equipment, read and understand the Generac Operating Manual which was included with the unit when shipped from the factory.

Failure to do so increases the risk of injury to yourself or others.

GENERAC MOBILE PRODUCTS LLC

215 Power Drive • Berlin, WI 54923 U.S.A.

Phone: 920-361-4442

FAX: 920-361-4416

Toll Free: 1-800-926-9768

www.generacmobile.com

For technical or parts QUESTIONS, please contact the Generac Mobile Products Customer Support or Technical Support team at 1-800-926-9768.

Engine Make: _____

Engine Serial Number: _____

Engine Model Number: _____

Pump Make: _____

Pump Model Number: _____

Pump Serial Number: _____

Unit Model Number: _____

Unit Serial Number: _____

This Page Intentionally Left Blank

Table of Contents

Introduction	iii
Parts Manual Instructions	1
Unit Decals - Left Side	2
Unit Decals - Right Side	3
Control Box Assembly	4
Air Filter Assembly	6
Exhaust System Assembly	8
Cooling System Assembly	10
Engine and Pump to Skid Assembly	12
Engine Assembly - Left Side	14
Engine Assembly - Right Side	16
External Pump Assembly	18
Internal Pump Assembly	20
Lift Structure Assembly	22
Fuel Tank Assembly (1 of 2)	24
Fuel Tank Assembly (2 of 2)	26
Trailer Assembly	28
Trailer Hitch Options	30
Axle Assembly	32
Trailer Brake Lines	34
Recommended Spare Parts List	36

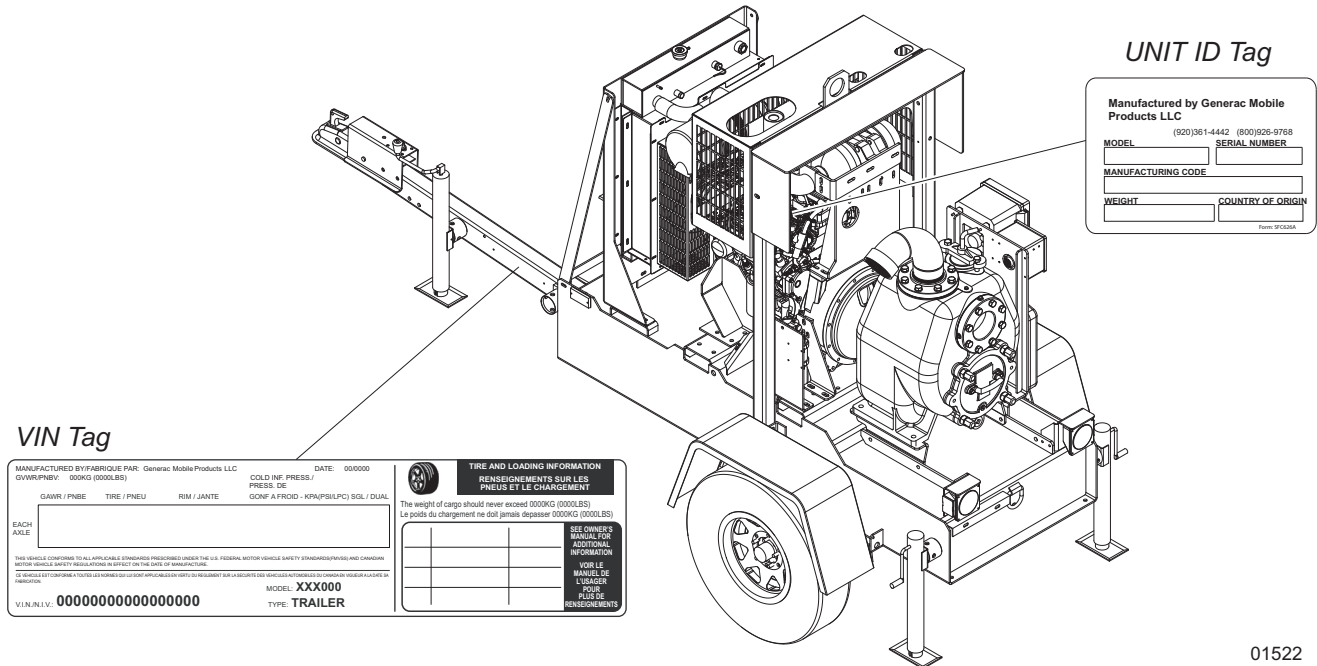
This Page Intentionally Left Blank

Parts Manual Instructions

Product illustrations are only representations. Products supplied may vary from the illustrations in this parts manual. Parts not shown in the illustration are indicated by a double dash (--) in the item column.

Please be prepared to provide the following information when ordering replacement parts: model number, serial number (on unit serial tag), part number, purchase order number (if applicable), shipping address, shipping method.

Refer to the illustration below to locate the unit ID tag and Vehicle Identification Number (VIN) tag on the unit. Important information, such as the unit serial number, model number, VIN and tire loading information are found on these tags. Record the information from these tags so it is available if the tags are lost or damaged. When ordering parts or requesting assistance, you may be asked to provide this information.



UNIT DECALS - LEFT SIDE

<p>PUMP OPERATION</p> <ol style="list-style-type: none"> Level unit with all three jacks. Attach intake and outlet hoses/piping. Emergency stop-off: Engine start switch to "Start". Allow pump to prime. Allow pump to cool if overheated. If priming fails, vent pump slowly at casting drain. Read operator's manual before restarting. 	<p>BEDIENUNG DER PUMPE</p> <ol style="list-style-type: none"> Gerät mit allen drei Weggestützen nivellieren. Einbaue- und Auslassschläuche/-rohre anschließen. Not-Stopp ausschalten. Motoranlasser chalter auf "Start" stellen. Pumpe ventillieren lassen. Bei Überhitzung Pumpe abkühlen lassen. Bei Strichbauaufbau langsam mit Wasserstoff entlüften lassen. Vor dem erneuten Anlassen gebräuchliches Ventillieren beachten.
<p>FONCTIONNEMENT DE LA POMPE</p> <ol style="list-style-type: none"> Niveler la unité sur les trois béquilles. Connecter les mangroves/bornes de entrée et sortie. Déconnecter le tiroir de arrêt d'urgence. Cliquez de l'interrupteur de démarrage (du moteur) sur "Start" (marche). Donner à la pompe à se aérer. Permettre que la pompe se refroidisse si elle est surchauffée. Si elle ne fonctionne pas, ventiler lentement la pompe au drain de vidange de la cuvette. Lire le manuel de l'opérateur avant de relancer le moteur. 	<p>FONCTIONNEMENT DE LA POMPE</p> <ol style="list-style-type: none"> Mettez la pompe à niveau avec les trois pieds. Attachez les tuyaux/conduites d'entrée/d'écoulement. Déconnectez l'arrêt d'urgence. Mettez l'interrupteur de démarrage du moteur sur "Start" (démarrage). Laissez la pompe à aérer. Laissez la pompe se refroidir si elle est surchauffée. Si la pompe est bloquée, videz lentement la pompe par le vidange du carter. Lire le manuel d'utilisation avant la remise en service.

<p>PUMP OUTLET (DISCHARGE) PORT PUMPAUSLAUSS (ABLAUF) ÖFFNUNG ORIFICIO DE SALIDA (DESCARGA) DE LA BOMBA ORIFICIO DE ESCOQUELAMIENTO (DESCARGA) DEL MOTOR</p>	<p>PRIMING PORT ENTLÜFTUNGSPORTE ORIFICIO PARA CERRAR/OBRIR ORIFICIO DE MARCHA/ARRESTO</p>
<p>PUMP INLET (SUCTION) PORT PUMPAEINGANG (ANSUG) ÖFFNUNG ORIFICIO DE ENTRADA (SUCCIÓN) O BOMBA ORIFICIO D'ASPIRACIÓN (SUCCIÓN) DE LA POMPE</p>	<p>PUMP CLEANOUT COVER REINIGUNGSSCHUTZKAPPE CUBIERTA DE LIMPIEZA DE LA BOMBA COUVERCLE DE NETTOYAGE DE LA POMPE</p>



Operator's manual must be stored on machine. Read/consult operator's manual. Das Bedienungsanleitung muss an die Maschine aufbewahrt werden. Zur Bedienung von Erntemaschinen verwenden Sie sich bitte an Ihren Magneten-Hilfen. El manual del operador debe guardarse en la máquina. Siempre consulte el manual de instrucciones antes de utilizar la máquina. Read the manual of the operator's manual. Le manuel de l'opérateur doit être conservé auprès de votre distributeur Magneten-Hilfen.



Disconnect battery before servicing.
Vor der Instandsetzung die Batterieverbindungen lösen.
Desconecte la batería antes de realizar el servicio técnico.
Débrancher la batterie avant de faire l'entretien.

WARNING
This pump is designed for use only with water containing suspended solids. Do not operate in an explosive environment. Do not attempt use with volatile, corrosive or flammable materials or liquids. Damage to the pump or severe body damage may occur.

ADVERTENCIA
Este bomba está diseñada para usar solo con agua que contenga sólidos en suspensión. No la opere en un ambiente explosivo. No intente usarla con materiales o líquidos volátiles, corrosivos o inflamables. Puede causar daños a la bomba o lesiones corporales graves.

AVERTISSEMENT
Cette pompe est conçue pour être utilisée uniquement avec de l'eau contenant des matières solides en suspension. Ne pas faire fonctionner la pompe dans un environnement explosif. Ne pas l'utiliser avec des matériaux ou des liquides volatils, corrosifs ou inflammables. La pompe risque d'être endommagée et de provoquer des blessures graves.

WARNING
Pump can automatically start which can cause serious injury. Disconnect battery before servicing.

ADVERTENCIA
Bomba puede arrancar automáticamente, y causar lesiones personales. Desconecte la batería antes de realizar el servicio técnico.

AVERTISSEMENT
La pompe peut démarrer automatiquement, ce qui peut entraîner des blessures graves. Débrancher la batterie avant de faire l'entretien.

WARNING
ADVERTENCIA
AVERTISSEMENT

WARNING
ADVERTENCIA
AVERTISSEMENT

ULTRA LOW SULFUR FUEL ONLY
Ss15 mg/kg

DANGER
GEFAHR
PELIGRO
DANGER
DIESEL

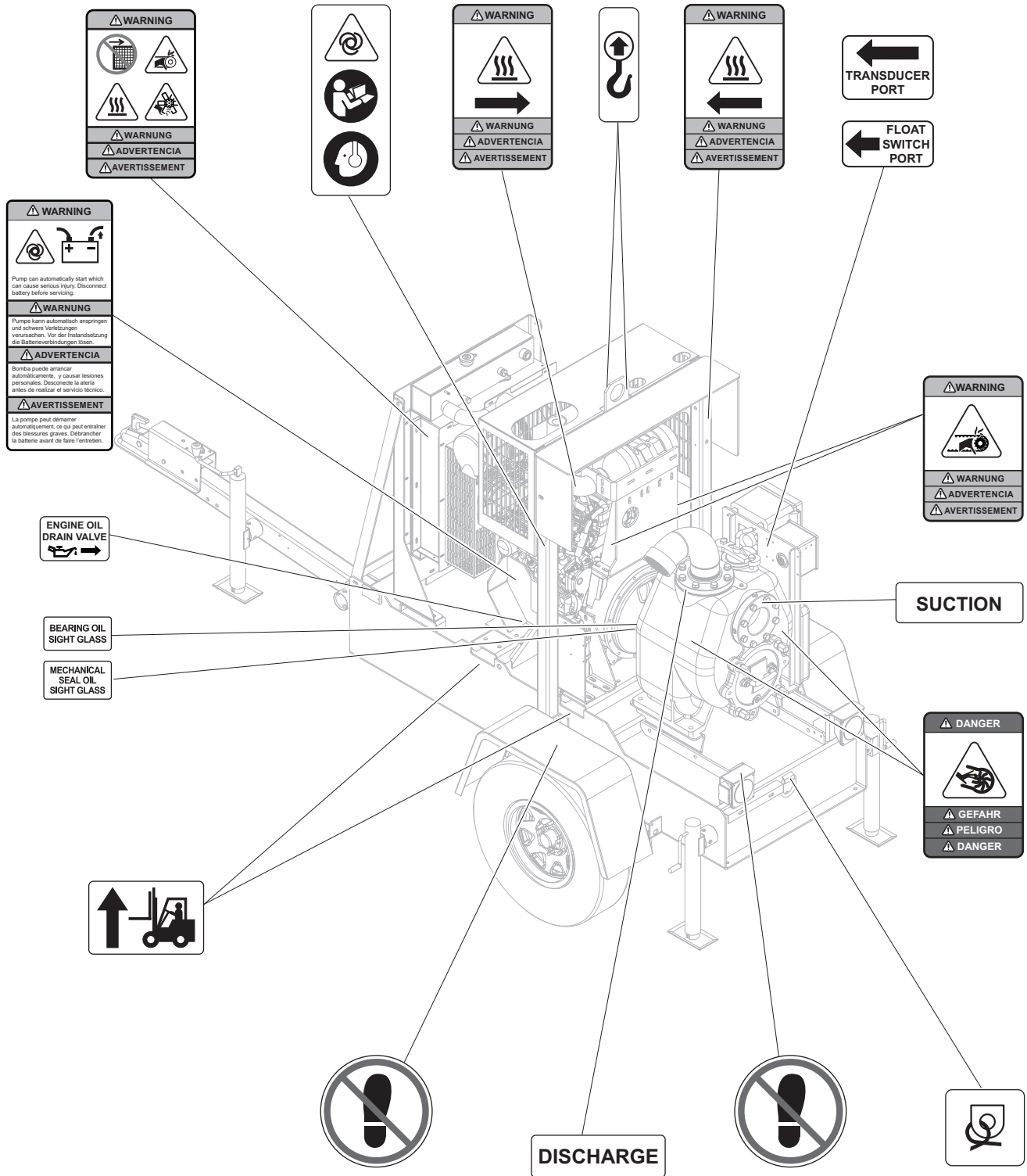
FUEL TANK DRAIN



<p>TOWING INSTRUCTIONS</p> <ol style="list-style-type: none"> Read operator's manual. Use hitch rated for trailer's gross vehicle weight rating. Securely attach trailer to tow vehicle. Attach safety chains in a cross pattern. Check trailer lights. 	<p>ABSCHLEPPINSTRUKTIONEN</p> <ol style="list-style-type: none"> Bedienungsanleitung lesen. Anhängerverbindungen verwenden, die der gewichtsinhaltsgemäßen Last entsprechen. Anhänger sicher am Zugschlösser befestigen. Sicherheitsketten kreuzförmig anbringen. Leuchtsysteme am Anhänger anbringen. Anhängerscheinwerfer prüfen. 	<p>INSTRUCCIONES DE REMOLQUE</p> <ol style="list-style-type: none"> Leer el manual del operador. Utilice un anillo de enganche clasificado para la "tara de peso bruto" del vehículo de remolque. Asegure el anillo correctamente al remolque al vehículo de tracción. Fije en cruz las cadenas de seguridad. Fije en el vehículo de remolque la cadena de desenganche. Compruebe las luces del remolque. 	<p>INSTRUCCIONES DE REMORQUAGE</p> <ol style="list-style-type: none"> Lire le manuel de l'opérateur. Utiliser un crochet d'attelage conforme au poids nominal du poids brut du véhicule de remorque tracteur. Attacher le crochet correctement au véhicule tracteur. Attacher les chaînes de sécurité en croisant une méthode saine. Attacher la chaîne de décrochage au véhicule de remorque. Vérifier les lampes du remorque.
---	--	--	--

Note: All safety and operating decals are located on decal sheet 52669 unless otherwise noted.

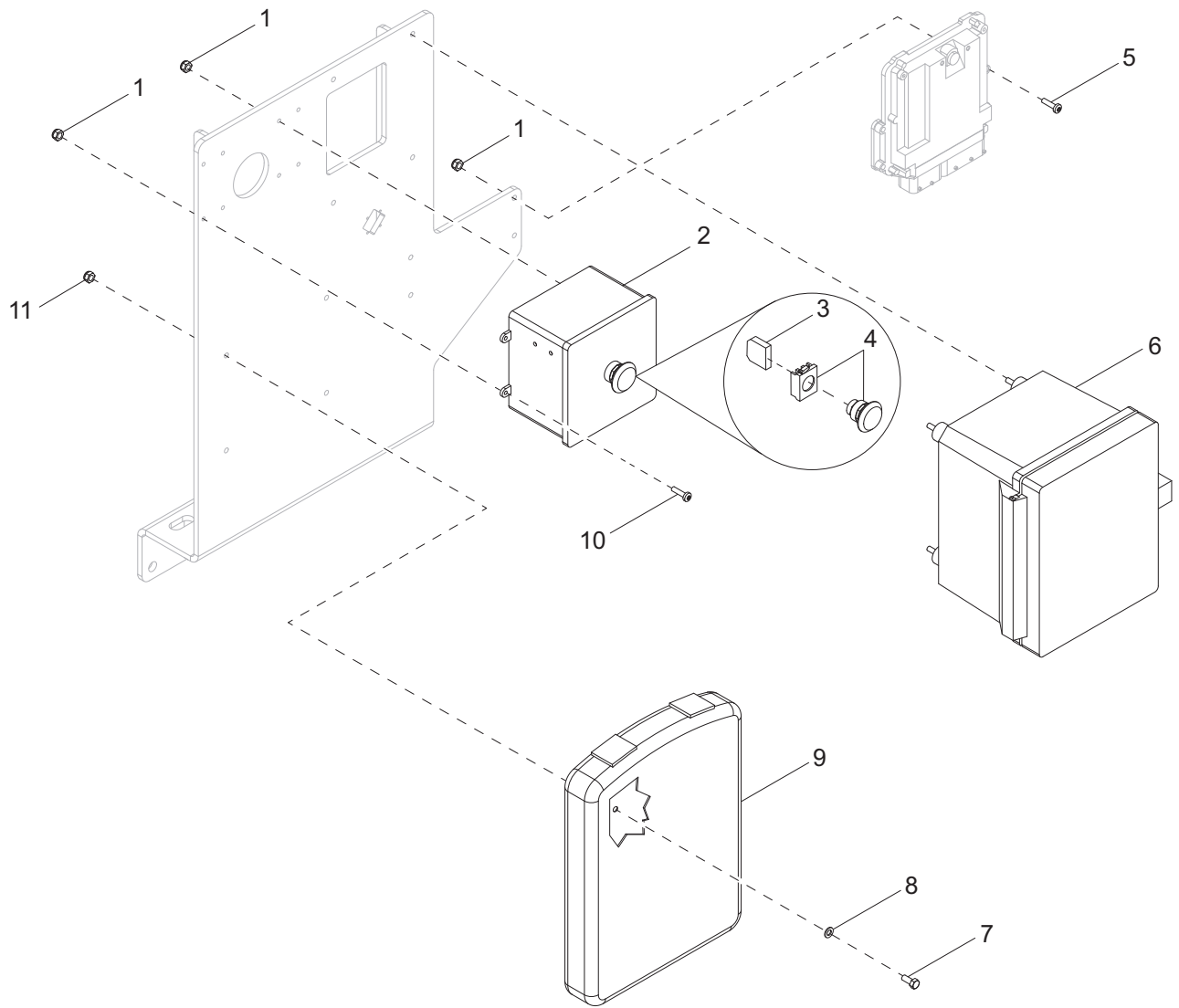
UNIT DECALS - RIGHT SIDE



01542

Note: All safety and operating decals are located on decal sheet 52669 unless otherwise noted.

CONTROL BOX ASSEMBLY

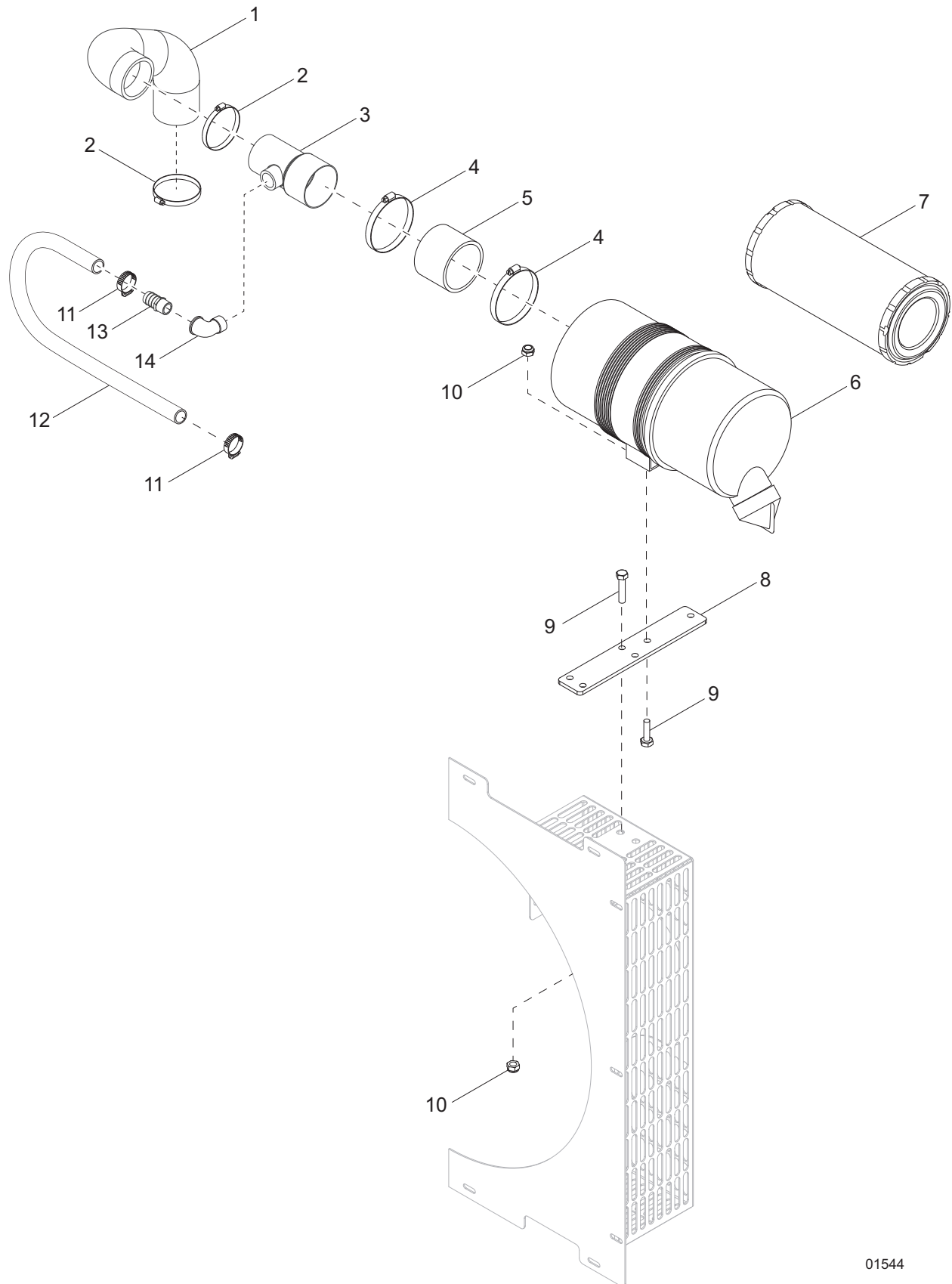


01543

CONTROL BOX ASSEMBLY

Item	Part No.	Qty	Description	Notes
1	60061	12	Nut, 10-32 nylock	
2	31514	1	Assembly, E-stop box	
--	65416	1	Nut, Duetsch HDP series	Included with item 2
--	65417	1	Washer, lock - Duetsch HDP series	Included with item 2
--	31597	1	Box, modified - E-stop	Included with item 2
--	61045	5	Nut, 10-32 sflg	Included with item 2
--	66455	2	Relay, 12V/70A NC/80A NO w/diode	Included with item 2
--	65049	1	Relay, 12V/30-40A NO w/diode	Included with item 2
--	60398	1	Screw, 10-32 x .500 pan phil, SS	Included with item 2
--	60237	8	Washer, #10 flat .495/.036 SAE	Included with item 2
--	60243	2	Washer, .250 flat .735/.060	Included with item 2
3	65584	1	Block, E-stop contactor NO/NO	
4	65470	1	Switch, E-stop operator	
5	60396	4	Screw, 10-32 x 1.250 pan phil, G2	
6	68532	1	Assembly, control box w/controller (Lofa 750)	
--	31671	1	Controller, programmed	
--	60062	8	Screw, 10-32 x .750 pan phil, G2	Included with item 6
--	60303	4	Nut, .312-18 nylock, G2	Included with item 6
--	62001	4	Screw, .312-18 x 1.250 std hex, G5	Included with item 6
7	60281	4	Screw, .250-20 x .750 std hex, G5	
8	60243	4	Washer, .250 flat, .735/.060	
9	24540	1	Holder, manual	
10	60062	4	Screw, 10-32 x .750 pan phil, G2	
11	60144	4	Nut, .250-20 nylock, G5	
--	68304	1	Harness, main	
--	68381	1	Wire group, E-stop box	
OPTIONAL FEATURES				
<i>Float Switches:</i>				
--	49607	1	Adapter, harness - LOFA float switch	
--	41581	1	Assembly, float switch	

AIR FILTER ASSEMBLY

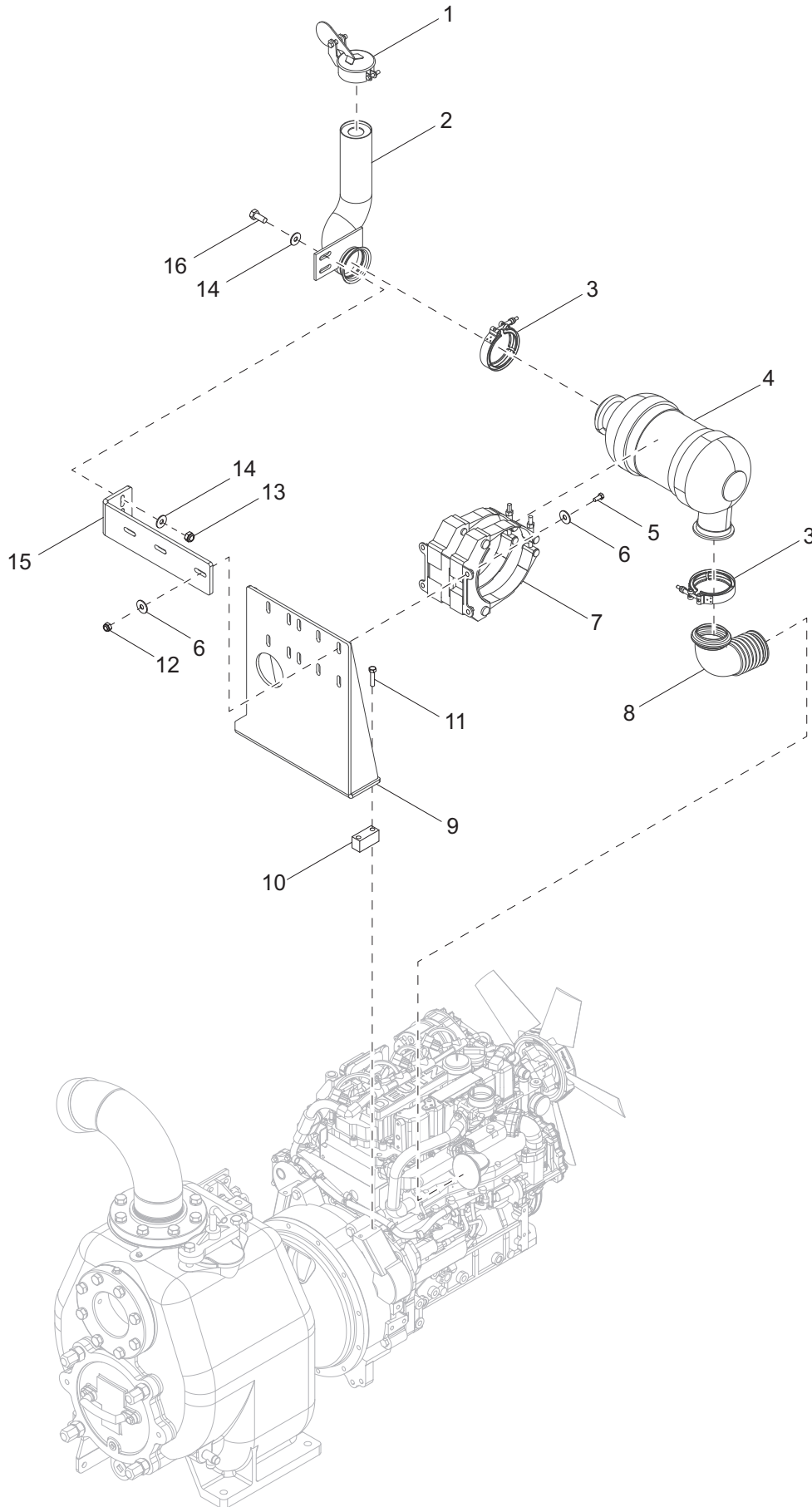


01544

AIR FILTER ASSEMBLY

Item	Part No.	Qty	Description	Notes
1	31477	1	Hose, air filter - engine side	
2	19336	2	Clamp, hose - SAE 044 (2.31-3.25)	
3	31476BH	1	Weldment, air inlet tube	
4	18663	2	Clamp, hose - SAE 060 (3.31-4.25)	
5	31473	1	Hose, air filter - filter side	
6	22967	1	Filter, air	
7	22874	1	Element, air filter	
8	31462B	1	Bracket, air filter	
9	60028	6	Screw, .312-18 x 1.0 std hex, G5	
10	60303	6	Nut, .312-18 nylock, G2	
11	19338	2	Clamp, hose - SAE 016 (.68-1.50)	
12	51019	1.5 ft	Hose, heater - .875 J20R3	
13	25496	1	Fitting, strt - .750MNPT x 1.0 barb, brass	
14	25110	1	Fitting, 90° street - .750MNPT x .750FNPT	

EXHAUST SYSTEM ASSEMBLY

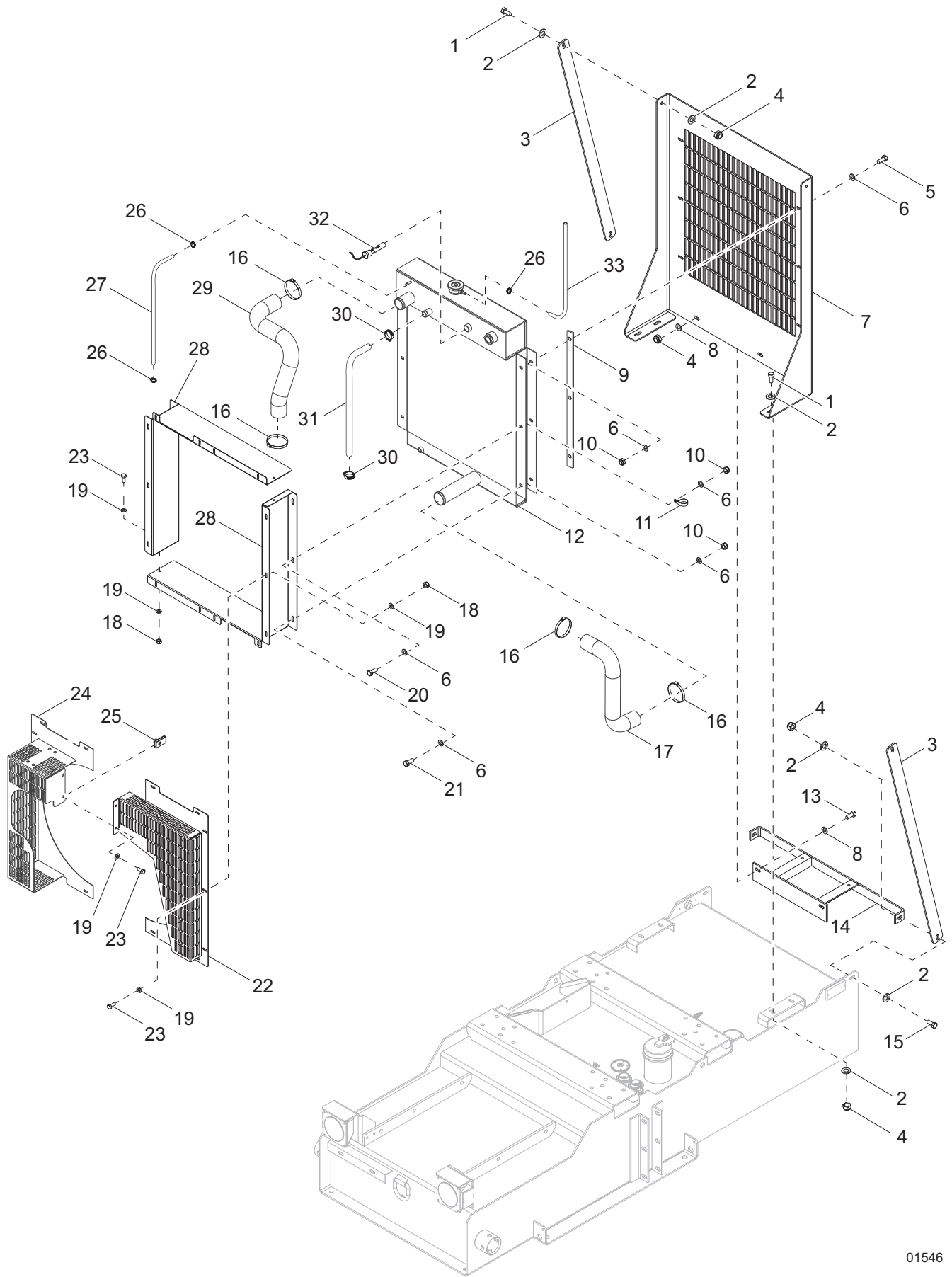


01545

EXHAUST SYSTEM ASSEMBLY

Item	Part No.	Qty	Description	Notes
1	21089	1	Cap, rain - 3.0	
2	31624	1	Weldment, DOC outlet pipe	
3	63248	2	Clamp, V-band - 3.88 ID/.40 SC width	
4	31470	1	DOC, Deutz D2.9	
5	60256	5	Screw, .312-18 x 1.50 std hex, fully threaded, G5	
6	60119	10	Washer, .312 flat .875/.070	
7	31471	1	Clamp, DOC	
8	31596	1	Weldment, DOC pipe	
9	31547B	1	Weldment, DOC support	
10	31539B	2	Spacer	
11	60152	4	Screw, M10-1.50 x 60 std hex, G8.8	
12	60303	5	Nut, .312-18 nylock, G2	
13	60358	2	Nut, .375-16 nylock, G5	
14	60386	4	Washer, .375 flat .993/.064	
15	31629B	1	Bracket, tail pipe support	
16	60352	2	Screw, .375-16 x 1.250 std hex, G5	

COOLING SYSTEM ASSEMBLY

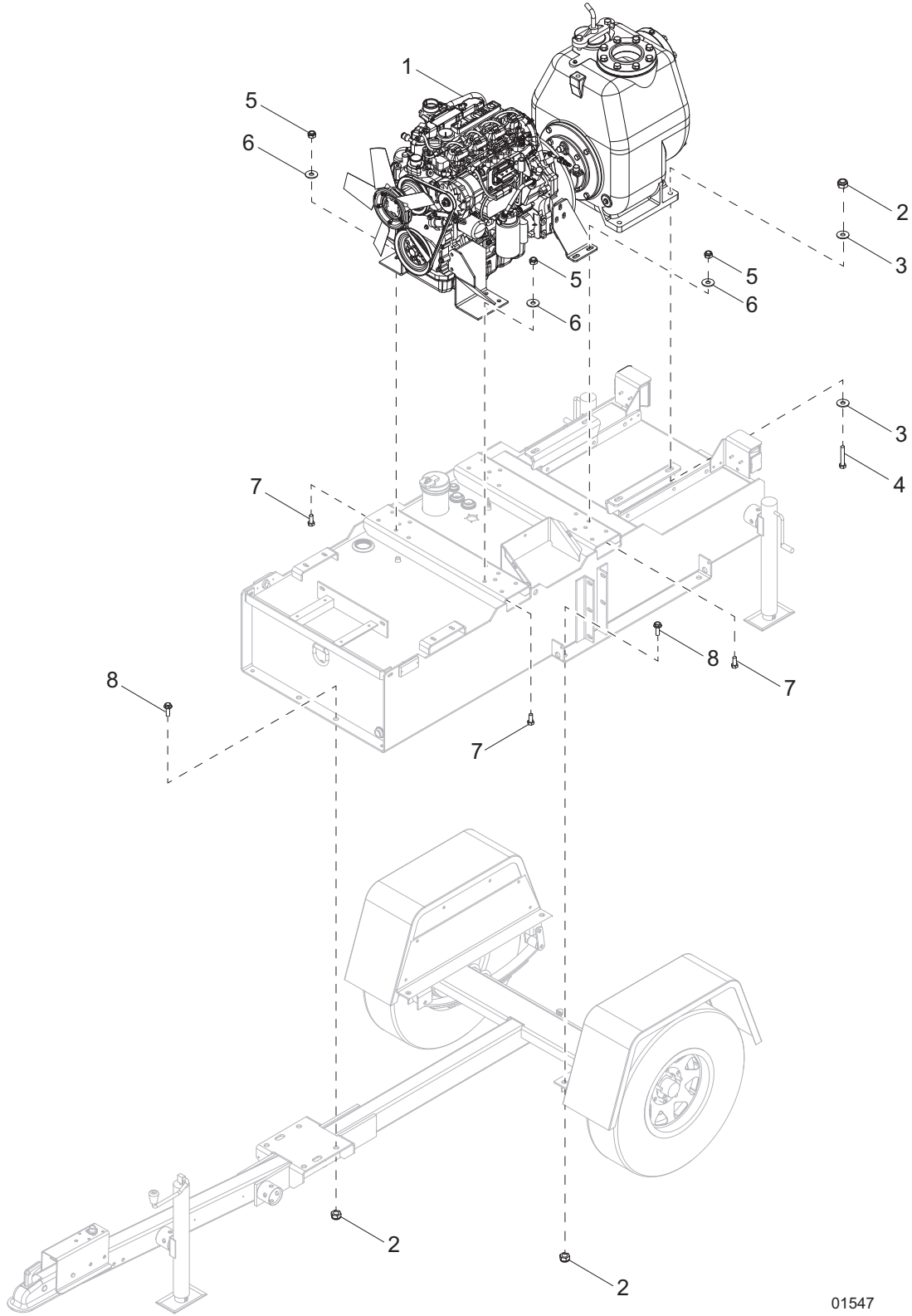


01546

COOLING SYSTEM ASSEMBLY

Item	Part No.	Qty	Description	Notes
1	60352	6	Screw, .375-16 x 1.250 std hex, G5	
2	60386	16	Washer, .375 flat .993/.064	
3	31583B	2	Strut, radiator support	
4	60358	10	Nut, .375-16 nylock, G5	
5	62001	6	Screw, .312-18 x 1.250 std hex, G5	
6	60119	24	Washer, .312 flat .875/.070	
7	31548B	1	Bracket, radiator support	
8	60698	4	Washer, .375 flat .875/.040	
9	31650B	2	Spacer, radiator	
10	60303	12	Nut, .312-18 nylock, G2	
11	15627	1	Clamp, tubing - .625 heavy duty	
12	38321	1	Radiator, w/expansion tank	
13	60205	2	Screw, .375-16 x 1.0 std hex, G5	
14	31648B	1	Weldment, battery support	
15	60139	2	Screw, .375-16 x 1.50 std hex, G5	
16	60316	4	Clamp, hose - SAE 032 (1.56-2.50)	
17	31440	1	Hose, radiator - lower	
18	60144	16	Nut, .250-20 nylock, G5	
19	60243	34	Washer, .250 flat .735/.060	
20	60028	1	Screw, .312-18 x 1.00 std hex, G5	
21	61061	5	Screw, .312-18 x .875 std hex, G5	
22	31582B	1	Weldment, fan guard - right	
23	60281	18	Screw, .250-20 x .750 std hex, G5	
24	31581B	1	Weldment, fan guard - left	
25	61143	2	Nut, .250-20 U-clip - short type	
26	14216	3	Clamp, hose - SAE 004 (.21-.62) mini	
27	50017	2.1 ft	Hose, fuel - .250 ID, 50 psi, SAE 30R7	
28	31561B	2	Shroud, fan	
29	31439	1	Hose, radiator - upper	
30	19338	2	Clamp, hose - SAE 016 (.68-1.50)	
31	51019	2 ft	Hose, heater .875 J20R3	
32	68206	1	Sensor, low coolant, wet sinking	
33	50018	3 ft	Hose, fuel - .312 ID, 50 psi, SAE 30R7	

ENGINE AND PUMP TO SKID ASSEMBLY

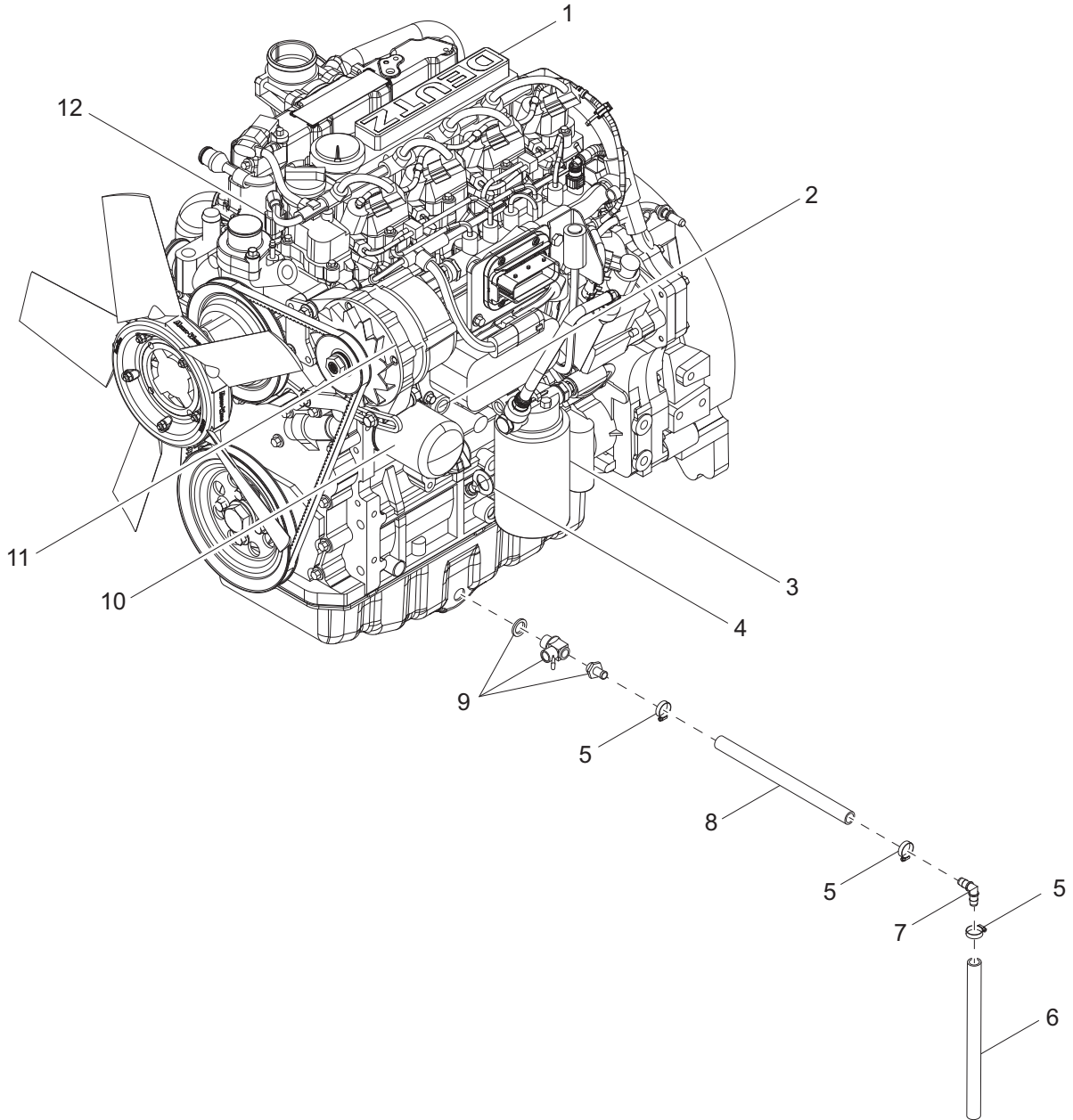


01547

ENGINE AND PUMP TO SKID ASSEMBLY

Item	Part No.	Qty	Description	Notes
1	31641	1	Assembly, engine/pump - Deutz TD2.9/Cornell 4.0	
2	60240	10	Nut, .625-11 nylock, G5	
3	60180	8	Washer, .625 flat 1.75/.10-.16	
4	61070	4	Screw, .625-11 x 2.75 std hex, fully threaded, G5	
5	62221	10	Nut, .500-13 nylock, G5	
6	60309	10	Washer, .500 flat 1.060/.090	
7	60388	10	Screw, .500-13 x 1.50 std hex, G5	
8	61078	6	Screw, .625-11 x 2.0 flg hex, G8	

ENGINE ASSEMBLY - LEFT SIDE



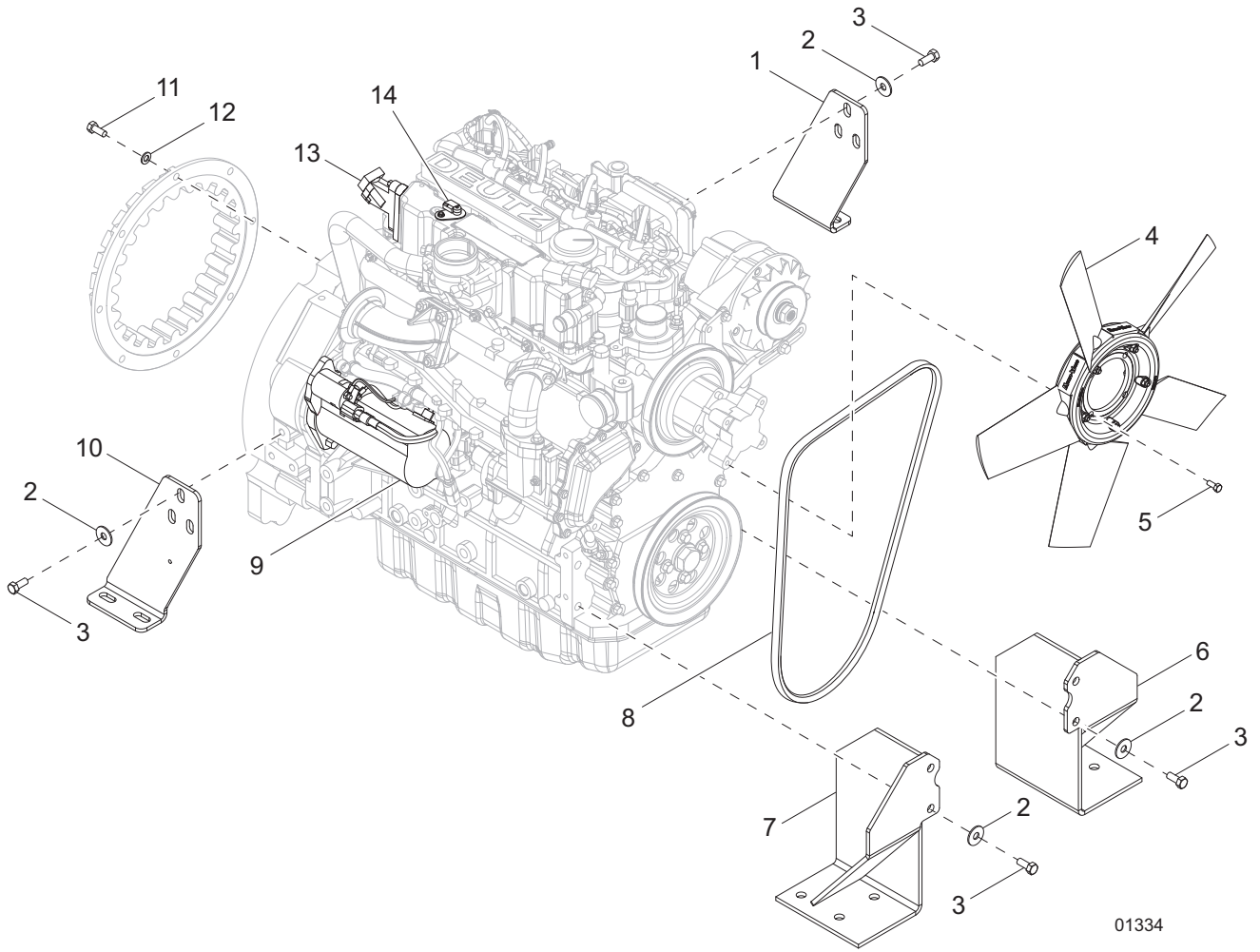
01548

ENGINE ASSEMBLY - LEFT SIDE

Item	Part No.	Qty	Description	Notes
1	31380	1	Engine, Deutz D2.9 - T4F 40hp, variable speed	
2	52223	1	Sensor, oil pressure	
3	52217	1	Filter, fuel	
4	52215	1	Dipstick, oil	
5	14216	3	Clamp, hose - SAE 004 (.21-.62) mini	
6	50051	2 ft	Hose, fuel - .375 ID, 50 psi, SAE 30R7	
7	63367	1	Fitting, 90° - .375 barb x .375 barb	
8	50051	1.5 ft	Hose, fuel - .375 ID, 50 psi, SAE 30R7	
9	60766	1	Valve, drain 18mm-1.5 w/nipple	
10	52212	1	Filter, oil	
11	52214	1	Alternator	
12	52221	1	Sensor, temperature	

Note: Engine and pump parts used in all Generac Mobile Products equipment carry the Original Equipment Manufacturer (OEM) warranty unless otherwise stated. OEM warranty parts must be purchased through an OEM dealer. Please contact Generac Mobile Products with questions.

ENGINE ASSEMBLY - RIGHT SIDE

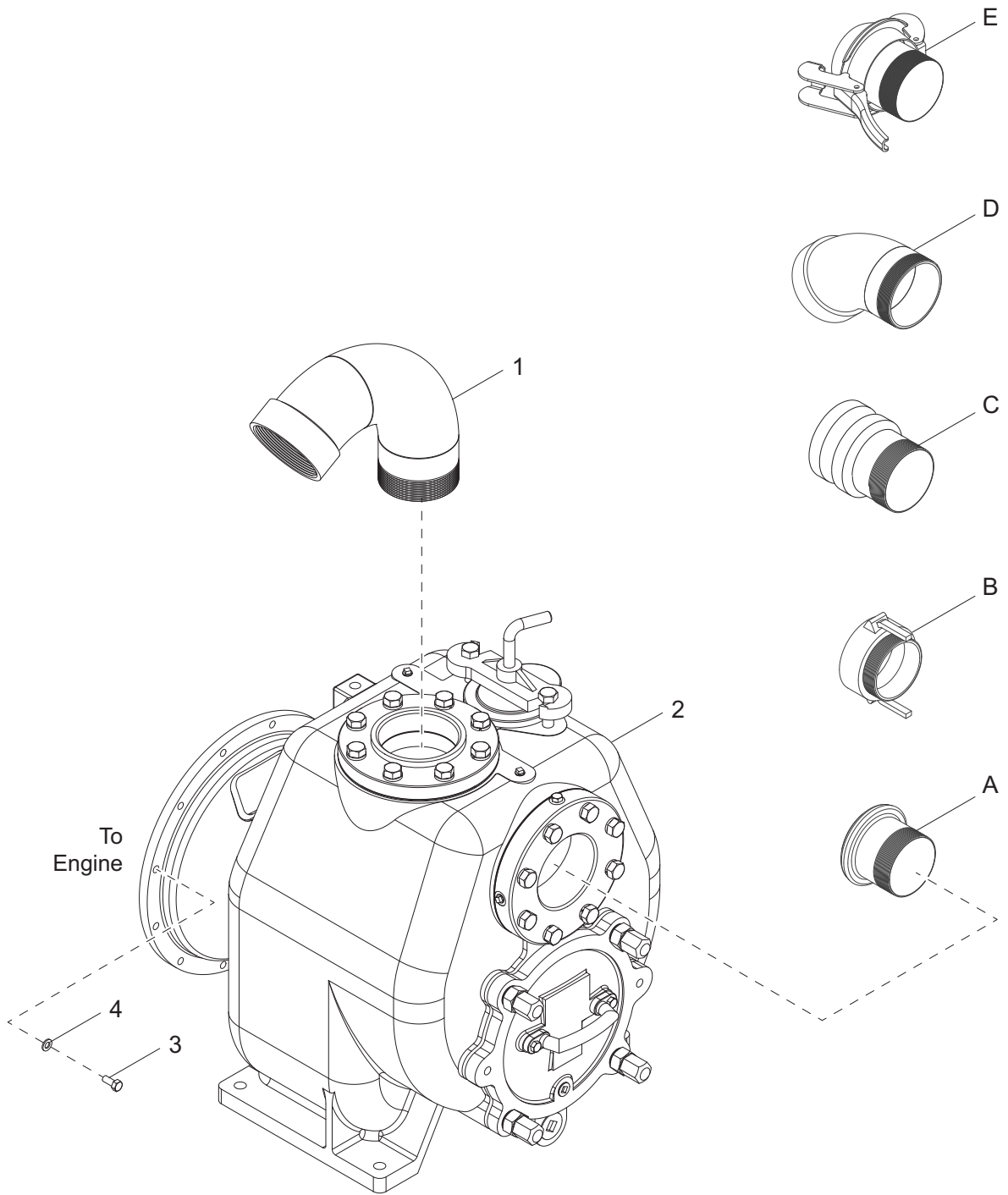


ENGINE ASSEMBLY - RIGHT SIDE

Item	Part No.	Qty	Description	Notes
1	31533B	1	Bracket, engine mount - bell housing, left	
2	60012	10	Washer, M12 flat	
3	62277	10	Screw, M12 - 1.75 x 25 std hex, G10.9	
4	31410	1	Fan, pusher 20.0 CW	
5	61204	4	Screw, M8 - 1.25 x 20 std hex, G10.9	
6	31527B	1	Weldment, engine mount - left	
7	31530B	1	Weldment, engine mount - right	
8	52213	1	Belt, fan	
9	52219	1	Starter	
10	31534B	1	Bracket, engine mount - bell housing, right	
11	63338	8	Screw, M10 - 1.50 x 20 hex, G10.9	
12	60027	8	Washer, M10	
13	52224	1	Sensor, oil pressure - valve cover	
14	52220	1	Sensor, temperature - valve cover	

Note: Engine and pump parts used in all Generac Mobile Products equipment carry the Original Equipment Manufacturer (OEM) warranty unless otherwise stated. OEM warranty parts must be purchased through an OEM dealer. Please contact Generac Mobile Products with questions.

EXTERNAL PUMP ASSEMBLY



01549

EXTERNAL PUMP ASSEMBLY

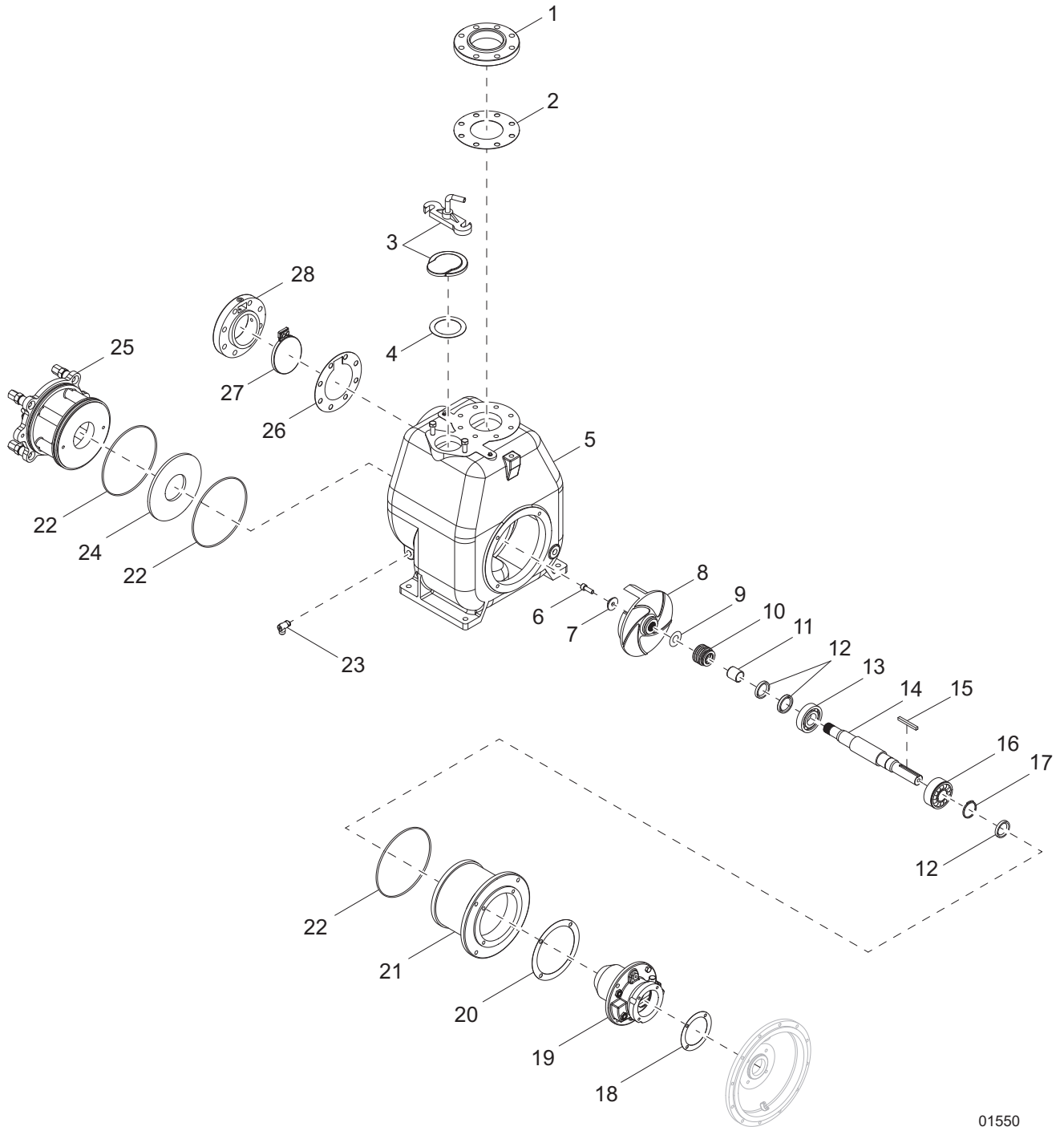
Item	Part No.	Qty	Description	Notes
1	41316B	1	Weldment, pump outlet tube - 4.0, 120°	
2	31392B	1	Pump, trash - 4.0 wet - Cornell	
3	60055	12	Screw, M10 - 1.50 x 35 std hex, G10.9	
4	60027	12	Washer, M10 flat	

OPTIONAL FEATURES

Inlet and Outlet Fittings:

A	41326	1	Socket, 4.0 x 4.0NTP male, galv
B	41328	1	Coupler, cam and groove - 4.0 female x 4.0NPT male
C	41586	1	Coupler, cam and groove - 4.0 male x 4.0NPT male
D	41584B	1	Weldment, pump fitting - 4.0NPT, 45° male/female
E	41324	1	Ring, ball and lock, 4.00 x 4.0NTP, galv

INTERNAL PUMP ASSEMBLY

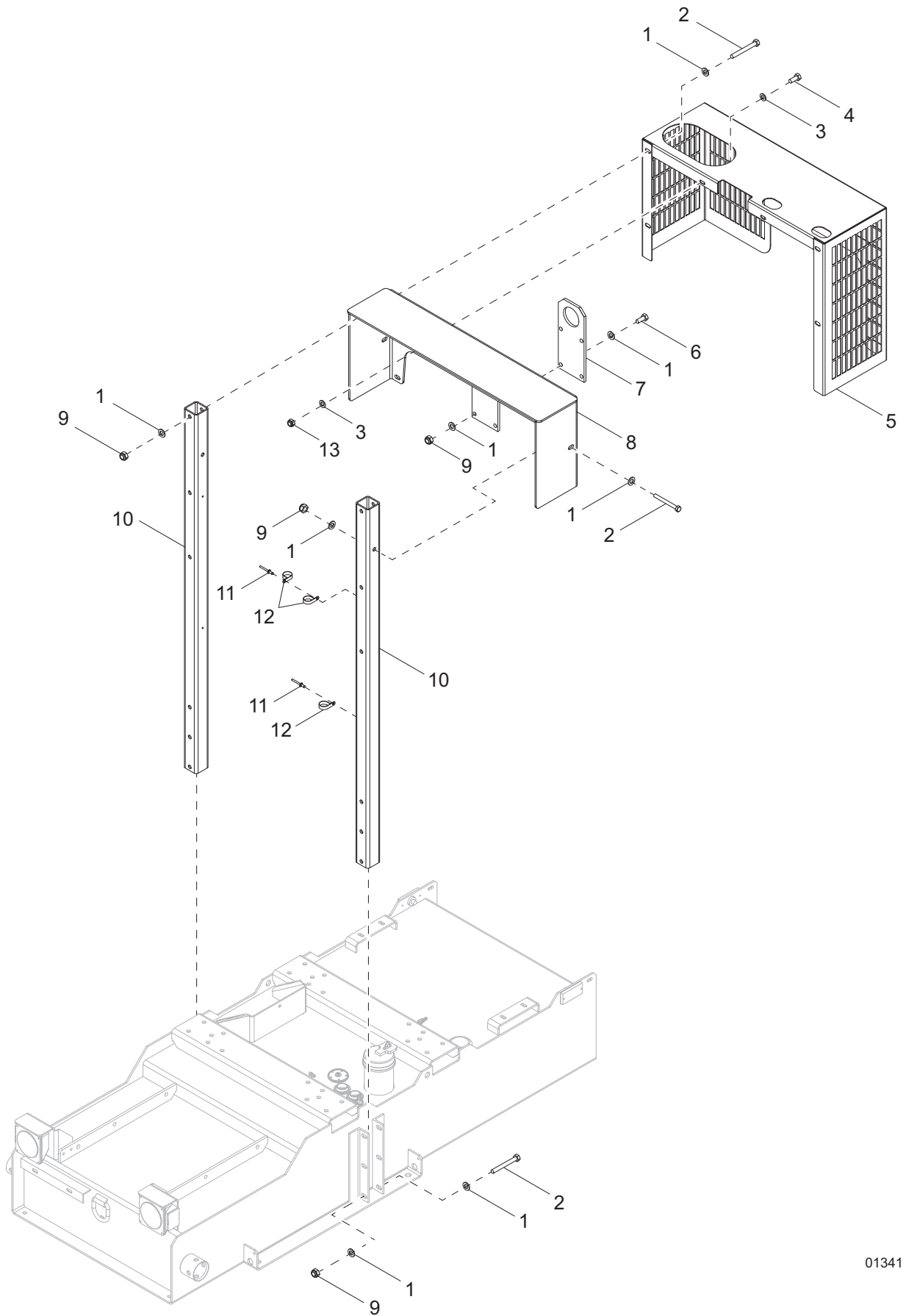


01550

INTERNAL PUMP ASSEMBLY

Item	Part No.	Qty	Description	Notes
1	52840	1	Flange, discharge 4 in NPT	
2	52841	1	Gasket, discharge flange	
3	52794	1	Assembly, fill cover	
4	52810	1	Gasket, fill cover	
5	52842	1	Volute, 4 in	
6	52843	1	Lock screw	
7	52844	1	Washer, impeller	
8	52845	1	Impeller, wet prime	
9	52846	1	Shim, impeller	
10	52847	1	Seal, mechanical	
11	52848	1	Sleeve, 4 in	
12	52849	3	Seal, lip	
13	52856	1	Bearing, pump end	
14	52857	1	Shaft	
15	52826	1	Key, impeller	
16	52858	1	Bearing, drive end (double)	
17	52859	1	Retainer, 4 in	
18	52860	1	Gasket, bracket	
19	52861	1	Frame, bearing	
20	52862	1	Gasket, bearing frame	
21	52865	1	Bracket, backplate	
22	52864	3	O-ring, 4 in	
23	52834	1	Valve, relief	
24	52865	1	Plate, wear	
25	52866	1	Cover plate	
26	52867	1	Gasket, check valve	
27	52868	1	Valve, check	
28	52869	1	Flange, suction	

LIFT STRUCTURE ASSEMBLY

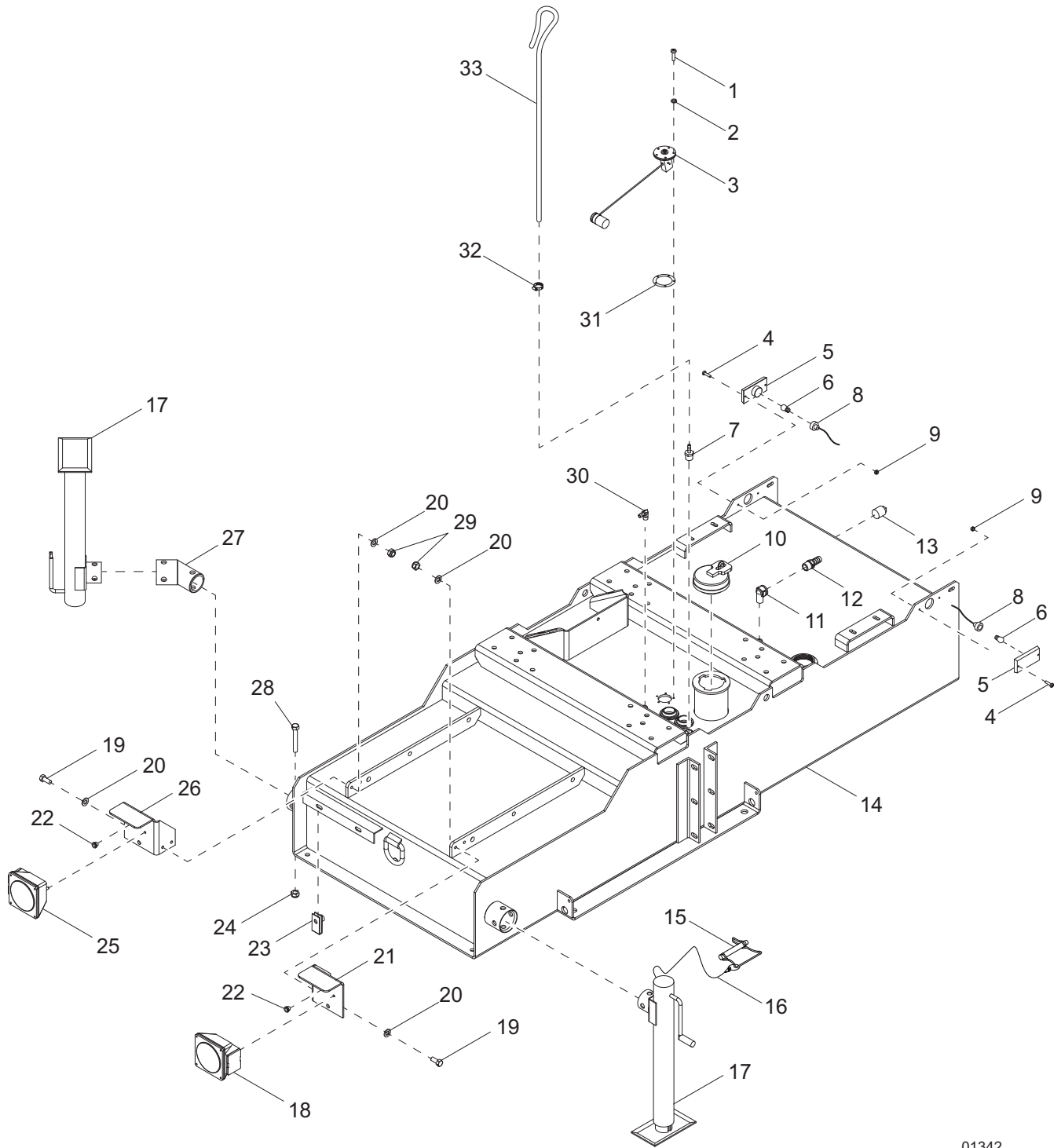


01341

LIFT STRUCTURE ASSEMBLY

Item	Part No.	Qty	Description	Notes
1	60309	32	Washer, .500 flat 1.060/.090	
2	50215	12	Screw, .500-13 x 4.0 std hex, G5	
3	60386	4	Washer, .375 flat .993/.064	
4	60205	2	Screw, .375-16 x 1.0 std hex, G5	
5	31605B	1	Shield, heat	
6	60484	4	Screw, .500-13 x 2.0 std hex, G5	
7	41080B	1	Bracket, lift eye	
8	31584B	1	Bracket, lift support	
9	62221	16	Nut, .500-13 nylock, G5	
10	31585B	2	Tube, lift structure	
11	60195	2	Rivet, .188 dia. x .375 to .500 grip	
12	15627	3	Clamp, tubing - .625 heavy duty	
13	60358	2	Nut, .375-16 nylock, G5	

FUEL TANK ASSEMBLY (1 OF 2)



01342

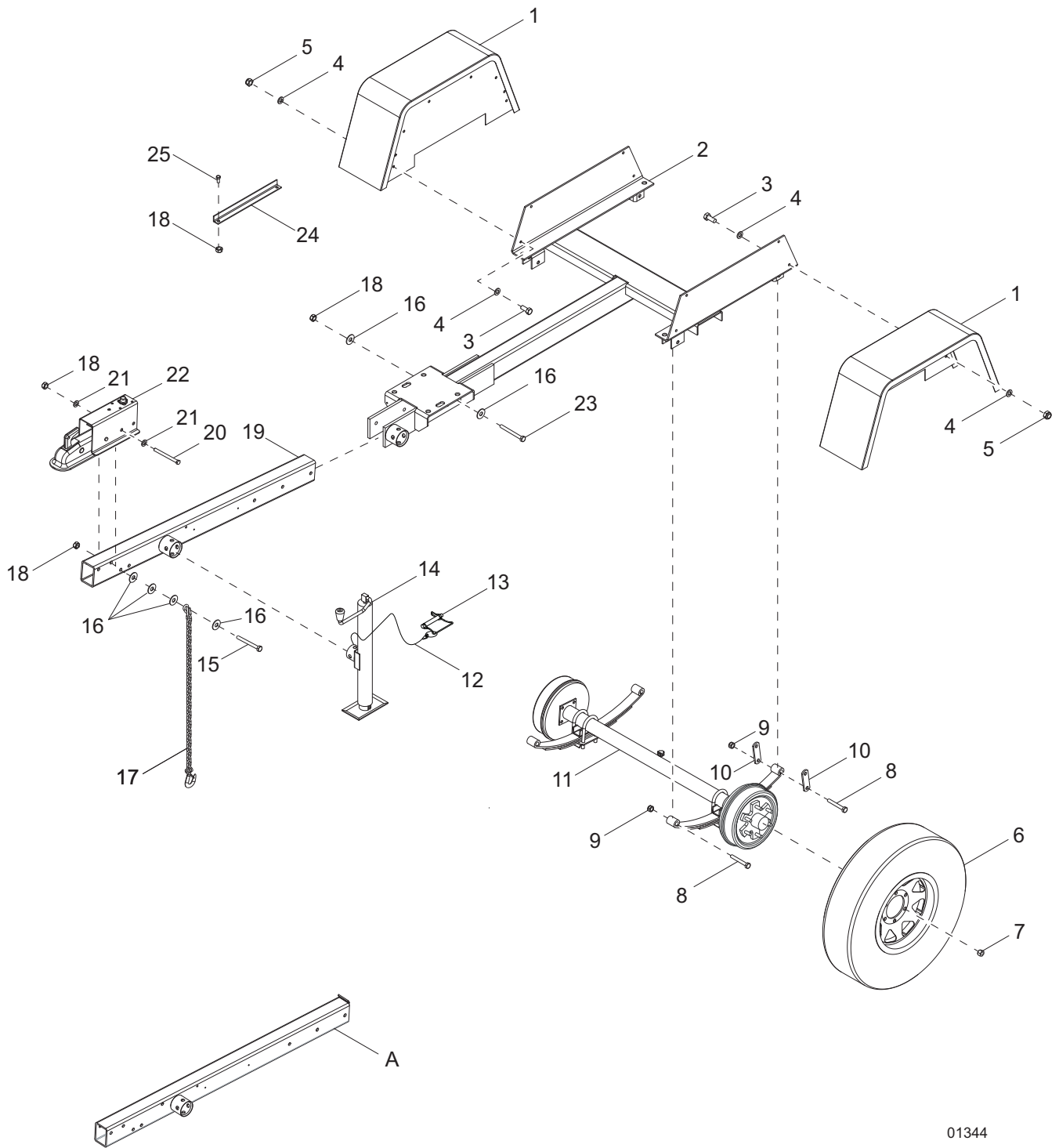
FUEL TANK ASSEMBLY (1 OF 2)

Item	Part No.	Qty	Description	Notes
1	60156	5	Screw, M5-.80 x 16 pan phil, G4.8	
2	60252	5	Washer, #10 split lock	
3	20571	1	Sender, fuel - 10-15 in. tank	
4	60406	4	Screw, 8-32 x 1.0 pan phil, G2	
5	66373	2	Lens, light, clearance marker - amber	
6	65661	2	Bulb, light - clearance marker	
7	60999	1	Fitting, strt - .500MNPT x .312 barb, brass	
8	65662	2	Plug, light - clearance marker	
9	60270	4	Nut, 8-32 nylock, class 6	
10	23707	1	Cap, fuel fill - 3.50	
11	23146	1	Fitting, 90° - .250MNPT x .375FNPT brass	
12	21339	1	Fitting, strt - .375NPT x .500 barb	
13	60498	1	Fitting, square plug - .750NPT	
14	41278B	1	Weldment, fuel tank/chassis	
15	23256	1	Pin, jack - 2000 lb, tube-mounted	
16	12647	1	Cable, tether - jack pin and ground rod cover	
17	41133	2	Jack, side wind - 2000 lb, tube-mounted	
18	49626	1	Light, stop/turn/tail - waterproof - LED right	
19	62001	4	Screw, .312-18 x 1.250 std hex, G5	
20	60119	8	Washer, .312 flat .875/.070	
21	41101B	1	Bracket, tail light mounting - right	
22	19163	2	Fitting, bushing - .500 OD x .375 ID	
23	61147	2	Nut, .312-18 U-clip, long type, G5	
24	60240	1	Nut, .625-11 nylock, G5	
25	49627	1	Light, stop/turn/tail - waterproof w/LP - LED left	
26	41102B	1	Bracket, tail light mounting - left	
27	31617B	1	Weldment, jack support	
28	63337	1	Screw, .625-11 x 4.50 hex, G8	
29	60303	4	Nut, .312-18 nylock, G2	
30	20645	1	Fitting, 90° - .250NPT x .375 barb, brass	
31	22323	1	Gasket, sending unit	
32	14216	1	Clamp, hose - SAE 004 (.21x.62) mini	
33	50343	3.16 ft	Hose, fuel - .312 ID x .562 OD, 60 psi	
--	41123	1	Harness, trailer light	
--	60353	1	Screw, .375-16 x 1.0 flg hex, self-tapping, G2	Use with item 41123
--	60698	1	Washer, .375 flat .875/.040, SS	Use with item 41123
--	60053	1	Washer, .375 external star	Use with item 41123
--	67856	1	Harness, trailer extension assembly	
OPTIONAL FEATURES				
<i>Harness - Electric Brake:</i>				
--	65899	1	Harness, electric brake	

FUEL TANK ASSEMBLY (2 OF 2)

Item	Part No.	Qty	Description	Notes
1	60393	3	Screw, .250-20 x 1.0 std hex, G5	
2	31580B	1	Cover, battery box	
3	31625	1	Cable, battery - 46 in. 2GA black post, 1/2 in. lug	
4	60019	1	Screw, M12 - 1.75 x 20 sflg hex, G8.8	
5	60369	1	Washer, M12 external star	
6	41185	1	Pad, battery - 6.00 x 10.0 in	
7	61066	4	Screw, .312-18 x 1.0 carr sqr, SS	
8	31560B	1	Box, battery	
9	19453	8	Clamp, hose - SAE 006 (.37-.87)	
10	51021	3.2 ft	Hose, fuel - .375 ID, 125 psi	
11	60303	4	Nut, .312-18 nylock, G2	
12	62221	6	Nut, .500-13 nylock, G5	
13	60309	10	Washer, .500 flat 1.060/.090	
14	31649B	1	Bracket, pump mount - left	
15	31638B	1	Bracket, pump mount - right	
16	60388	4	Screw, .500-13 x 1.5 std hex, G5	
17	60484	2	Screw, .500-13 x 2.0 std hex, G5	
18	31644B	1	Weldment, pump support - controls support	
19	62145	1	Fitting, 90° - .375MNPT x .375 barb, brass	
20	51021	1.5 ft	Hose, fuel - .375 ID, 125 psi	
21	60061	4	Nut, 10-32 nylock	
22	31451	1	Pump, fuel	
23	51022	1.5 ft	Hose, fuel - .500 ID, 125 psi	
24	62108	2	Fitting, 90° - .375MNPT x .500 barb, brass	
25	60397	4	Screw, 10-32 x 1.0 pan phil, G2	
26	60139	2	Screw, .375-16 x 1.50 std hex, G5	
27	60698	2	Washer, .375 flat .875/.040, SS	
28	31614B	1	Bracket, filter	
29	63223	2	Seal, M16	
30	33146	2	Fitting, strt - .375FNPT x M16-1.5 male	
31	52216	1	Filter, fuel - pre-filter	
32	60358	2	Nut, .375-16 nylock, G5	
33	51022	3.1 ft	Hose, fuel - .500 ID, 125 psi	
34	60144	3	Nut, .250-20 nylock, G5	
35	68575	1	Cable, battery - 62 in. 2GA red w/30 in. lead, 3/8 lug	
36	60271	1	Washer, .312 split lock	
37	60032	1	Nut, M8 - 1.25 hex, G8.8	

TRAILER ASSEMBLY

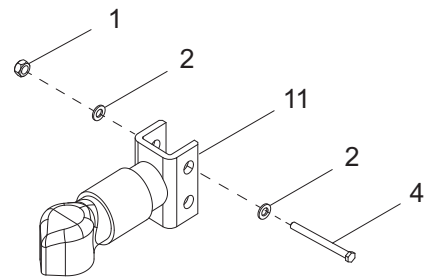
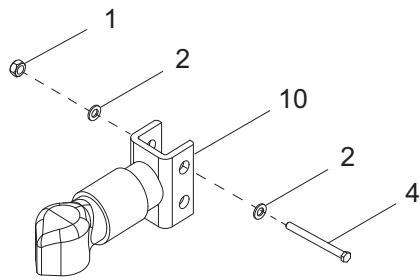
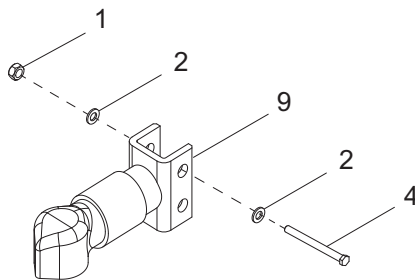
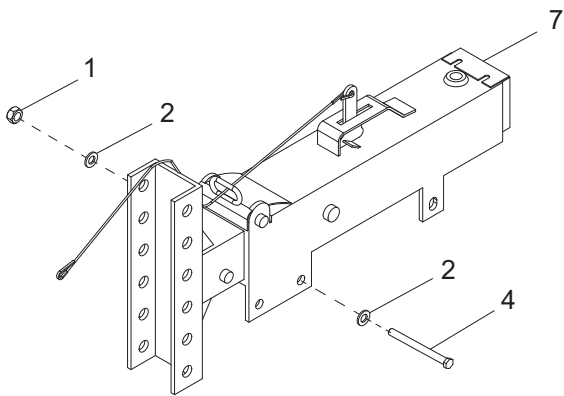
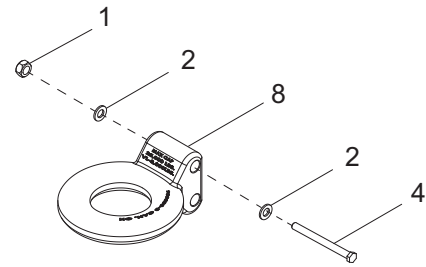
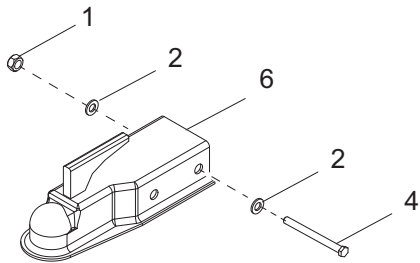
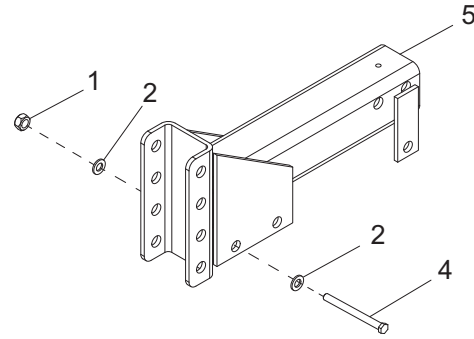
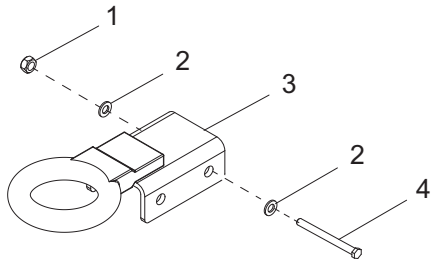


01344

TRAILER ASSEMBLY

Item	Part No.	Qty	Description	Notes
1	22743B	2	Fender, single wheel	
2	24811B	1	Weldment, trailer chassis - flip tongue	
3	61036	8	Screw, .375-16 x 1.25 std hex, SS	
4	60698	16	Washer, .375 flat .875/.040, SS	
5	60358	8	Nut, .375-16 nylock, G5	
6	18377	2	Wheel, ST225/75R15, 2540 lb	
7	60096	12	Nut, .500-20 lug, G5	
8	60503	6	Screw, shackle .562-18 x 3.0 std hex, G5	
9	60504	6	Nut, .562-18 lock hex, G5	
10	19637	4	Plate, shackle bracket - 3.125	
11	<i>Page 32</i>	1	Assembly, axle	
12	12647	1	Cable, tether - jack pin and ground rod cover	
13	23256	1	Pin, jack - 2000 lb, tube-mounted	
14	13051	1	Assembly, jack, 2000 lb top wind, tube-mounted	
15	60376	2	Screw, .500-13 x 4.50 std hex, G5	
16	60416	14	Washer, .500 flat 1.375/.090	
17	23367	2	Chain, safety - 7800 lb	
18	62221	7	Nut, .500-13 nylock, G5	
19	24812B	1	Weldment, tongue - flip non-adjustable actuator	
20	61099	2	Screw, .500-13 x 5.0 std hex, G8	
21	60309	4	Washer, .500 flat 1.060/.090	
22	24304	1	Actuator, hydraulic surge brake - 2 in. ball, 6000 lb	
--	41762	1	O-ring, 24 mm	
23	61104	3	Screw, .500-13 x 5.50 std hex, G8	
24	24691B	1	Brace, tongue shipping	
25	61103	1	Screw, .500-13 x 1.75 sflg hex	
--	24701	1	Assembly, trailer basic	
OPTIONAL FEATURES				
A	30931B	1	Weldment, tongue w/support plate - electric brake	

TRAILER HITCH OPTIONS

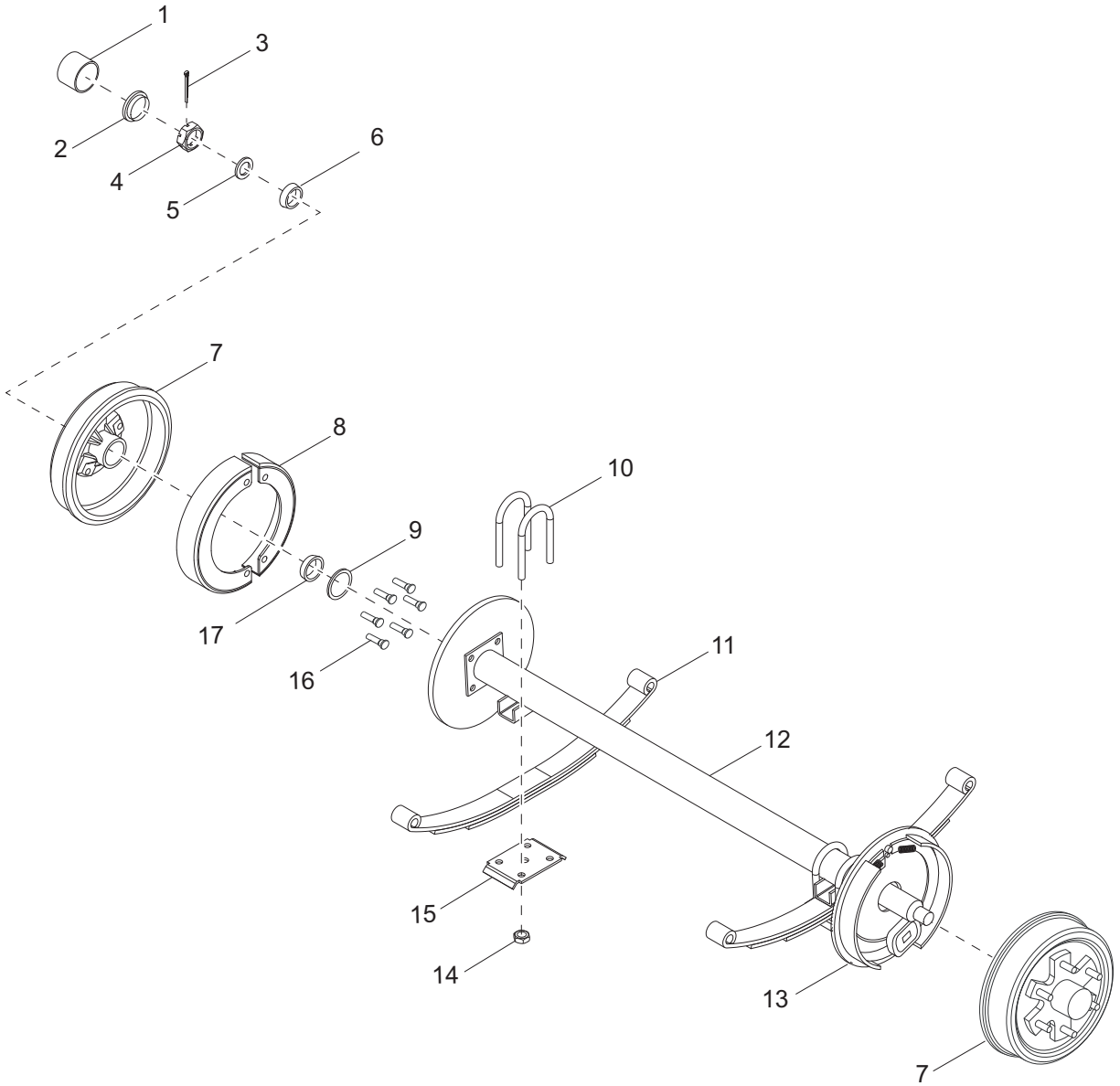


01347

TRAILER HITCH OPTIONS

Item	Part No.	Qty	Description	Notes
1	62221	18	Nut, .500-13 nylock, G5	
2	60309	30	Washer, .500 flat 1.060/.090	
3	11032B	1	Weldment, lunette ring - 3.0 ID	Non-adjustable
4	61099	18	Screw, .500-13 x 5.0 std hex, G8	
5	23162	1	Coupler, 2.0 ball/3.0 channel - 5000 lb	Non-adjustable
6	19379B	1	Weldment, hitch - 4 position, electric brake	Adjustable
7	40529	1	Actuator, hydraulic surge brake - 7500 lb	Adjustable
8	19335B	1	Coupler, lunette ring - 3.0 ID	Requires item 5 or 7
9	19518	1	Coupler, 2.0 ball	Requires item 5 or 7
10	19519	1	Coupler, 2.31 ball	Requires item 5 or 7
11	41795	1	Coupler, 2.31 ball - 12500 lb, Bulldog	Requires item 5 or 7
--	65593	1	Adapter, trailer wiring - 4 pin and 2 pin to 6 pin	Electric Brake
--	65583	1	Adapter, trailer wiring - round 6 pin to round 7 spade	Electric Brake Requires 65593
--	65463	1	Adapter, trailer wiring - flat 4 pin to round 6 pin	Surge Brake
--	65464	1	Adapter, trailer wiring - flat 4 pin to round 7 pin	Surge Brake
--	65465	1	Adapter, trailer wiring - flat 4 pin to round 7 spade	Surge Brake

AXLE ASSEMBLY



01345

AXLE ASSEMBLY

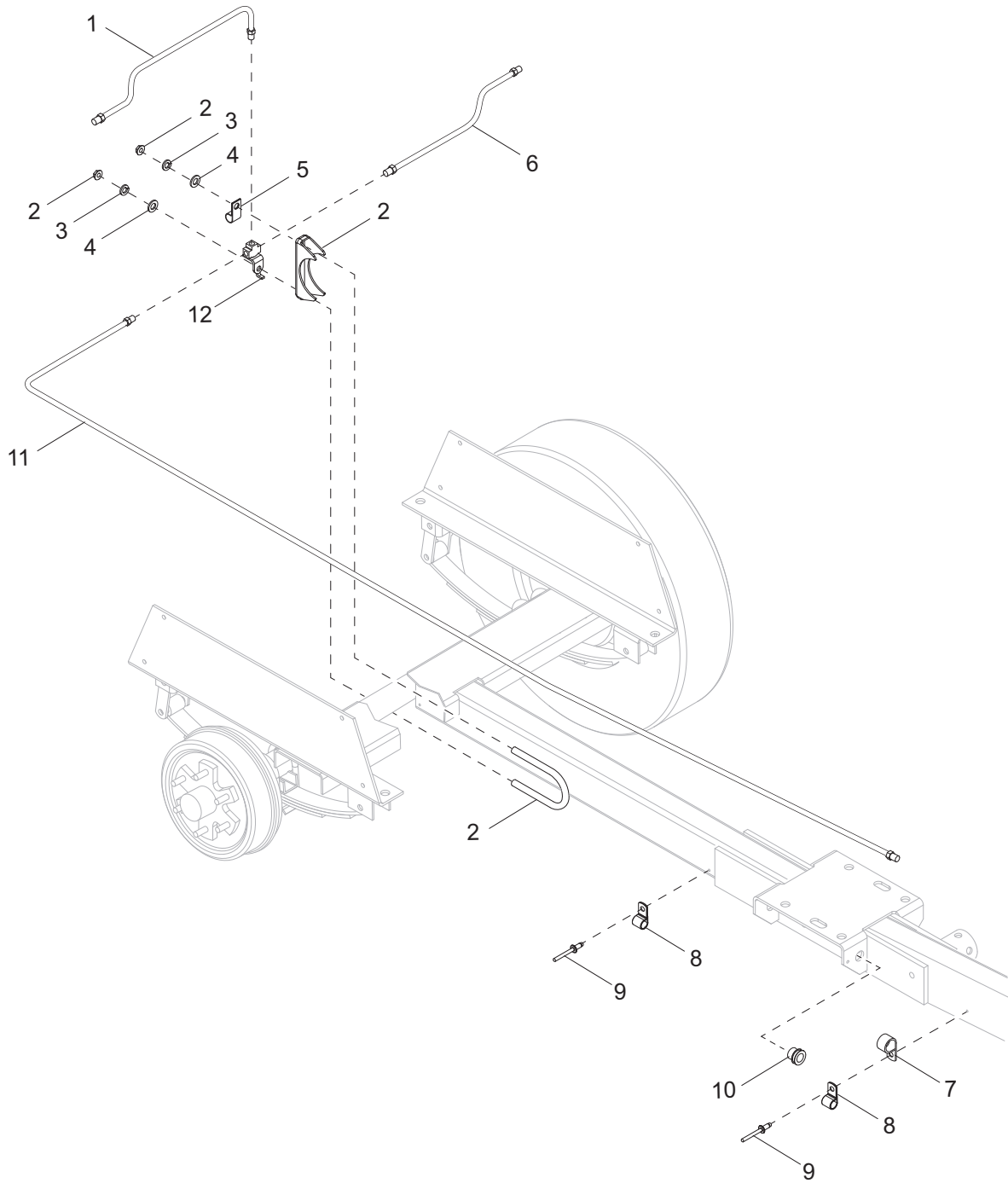
Item	Part No.	Qty	Description	Notes
1	23170	2	Cap, grease - 5000 lb	
2	11254	2	Plug, grease cap - zerk	
3	26583	2	Pin, cotter	
4	12308	2	Nut, spindle	
5	26581	2	Washer, spindle	
6	24831	2	Roller bearing - outer	
7	26452	2	Brake drum - 12 in. 6 holes on 5.5 in	
8	42338	2	Brake pads	
9	24832	2	Bearing seal, axle	
10	40875	4	U-bolt, axle	
11	23912	2	Spring, 5000 lb axle	
12	22877	1	Axle, 5000 lb hydraulic	
13	26572	1	Assembly, surge brake - right	
	26571	1	Assembly, surge brake - left	
14	26441	8	Nut, U-bolt 1/2-20, plated	
15	40874	2	Tie plate, axle	
16	60963	12	Stud, wheel - .500-20, 5000 lb	
17	24830	2	Roller bearing, inner	
--	24796	1	Assembly, axle, 5000 lb - hydraulic brake	

OPTIONAL FEATURES

Axle - Electric Brake:

--	22876	1	Axle, 5000 lb electric	
--	26573	1	Assembly, electric brake - left	
--	26574	1	Assembly, electric brake - right	

TRAILER BRAKE LINES



01346

TRAILER BRAKE LINES

Item	Part No.	Qty	Description	Notes
1	40495	1	Line, brake .188 x 20.0	
2	61064	1	Clamp, muffler - 3.0 lt duty	
3	60341	2	Washer, split lock, SS	
4	60166	2	Washer, M8 flat	
5	61010	1	Clamp, tubing - .375 hvy duty	
6	40494	1	Line, brake .188 x 30.0	
7	16143	4	Clamp, tubing - .500	
8	15626	6	Clamp, tubing - .375 lt duty	
9	60231	7	Rivet, .188 dia x .375 to .500 grip	
10	22340	2	Fitting, bushing - 1.0 OD x .750 ID	
11	24688	1	Hose, brake - .188 x 136.0 male/male	
12	19252	1	Fitting, strt - .188 brake line T w/bracket	

RECOMMENDED SPARE PARTS LIST

ENGINE

Alternator, engine.....	52214
Belt, fan	52213
Cap, fuel fill.....	23707
Dipstick,	52215
Element, air filter	22874
Fan, pusher	31410
Pre-Filter, fuel	52216
Filter, fuel.....	52217
Filter, oil	52212
Hose, radiator - lower	31440
Hose, radiator - upper.....	31439
Pump, fuel	31451
Sensor, temp, valve cover	52220
Sensor, temp	52221
Sensor, low coolant	68206
Sensor, oil pressure, valve cover.....	52224
Sensor, oil pressure	52223
Starter, engine	52219

PUMP

Impeller.....	52845
Mechanical seal.....	52847
Wear plate	52865

ELECTRICAL

Controller, LOFA 750	31671
E-stop switch	65470
E-stop contactor NO/NO.....	65584
Relay, 12V/70A NC/80A NO w/diode (glow plug).....	66455

TRAILER

Chain, safety.....	23367
Bulb	65661
Jack, side wind (rear)	41133
Jack, top wind (tongue)	13051
Lens, amber.....	66373
Light, rear tail - left.....	49627
Light, rear tail - right.....	49626
Nut, lug.....	60096
Wheel, tire	18377

